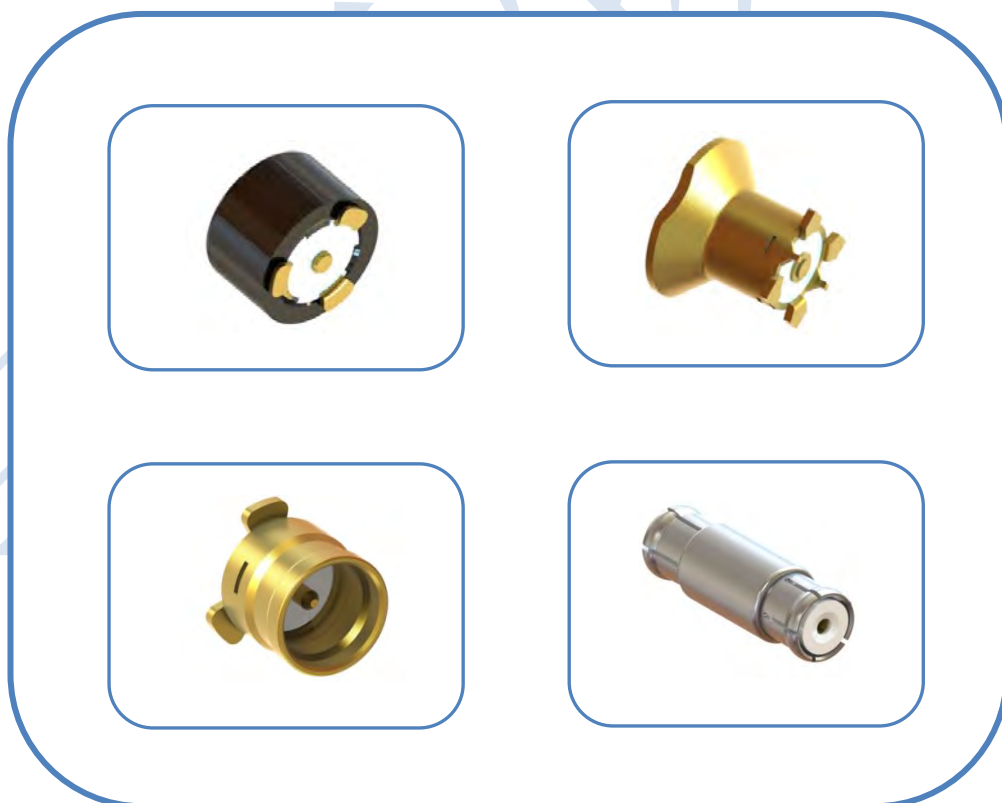


ZSMP 系列射频同轴连接器


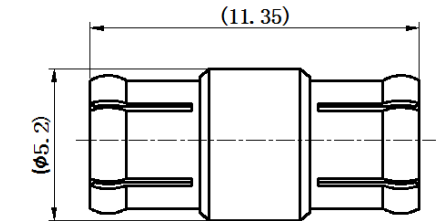

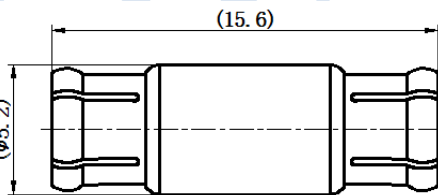

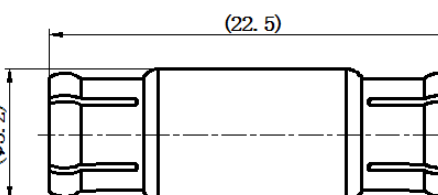

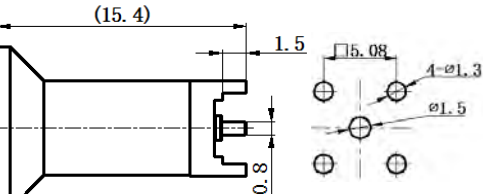
SERIES ZSMP RF. COAXIAL CONNECTORS

ZSMP 系列产品是一种用于板与板之间的盲插浮动连接,是一种带有容差的射频连接器,允许在轴向和径向上有一定的失配量。具有体积小、重量轻、连接快速以及使用频率高等特点,广泛用于 5G 微波通信领域。

ZSMP series product is a kind of blind plug floating connection between boards, it is a kind of RF connector with tolerance, allowing a fixed mismatch in axial and radial direction. It has the characteristics of small size, light weight, fast connection and high frequency, and is widely used in 5G microwave communication field.

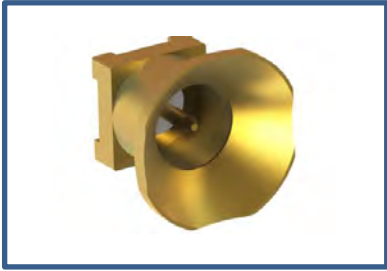
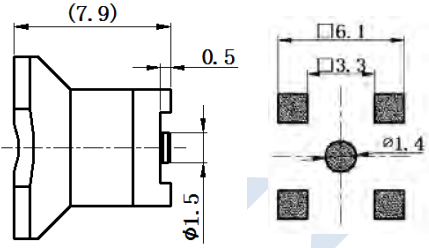
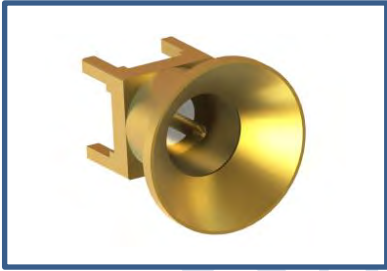
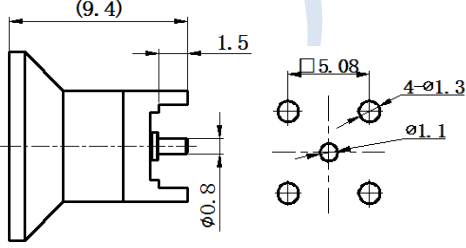

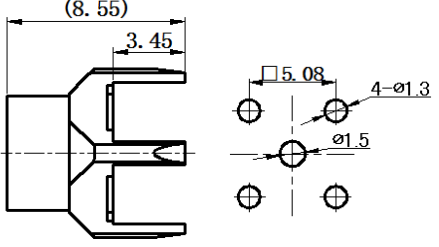

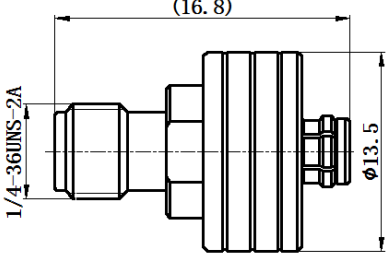


◆ 部分产品型号外形参数 Partial Products Overall Specification

<table border="1"> <thead> <tr> <th>产品型号</th> <th>适配电缆</th> </tr> <tr> <th>Product No.</th> <th>Matched cable</th> </tr> </thead> <tbody> <tr> <td>ZSMPF/ZSMPF</td> <td>-</td> </tr> </tbody> </table>	产品型号	适配电缆	Product No.	Matched cable	ZSMPF/ZSMPF	-		
产品型号	适配电缆							
Product No.	Matched cable							
ZSMPF/ZSMPF	-							
030-01								
<table border="1"> <thead> <tr> <th>产品型号</th> <th>适配电缆</th> </tr> <tr> <th>Product No.</th> <th>Matched cable</th> </tr> </thead> <tbody> <tr> <td>ZSMFP/ZSMPF</td> <td>-</td> </tr> </tbody> </table>	产品型号	适配电缆	Product No.	Matched cable	ZSMFP/ZSMPF	-		
产品型号	适配电缆							
Product No.	Matched cable							
ZSMFP/ZSMPF	-							
030-02								
<table border="1"> <thead> <tr> <th>产品型号</th> <th>适配电缆</th> </tr> <tr> <th>Product No.</th> <th>Matched cable</th> </tr> </thead> <tbody> <tr> <td>ZSMPF/ZSMPF</td> <td>-</td> </tr> </tbody> </table>	产品型号	适配电缆	Product No.	Matched cable	ZSMPF/ZSMPF	-		
产品型号	适配电缆							
Product No.	Matched cable							
ZSMPF/ZSMPF	-							
030-03								
<table border="1"> <thead> <tr> <th>产品型号</th> <th>适配电缆</th> </tr> <tr> <th>Product No.</th> <th>Matched cable</th> </tr> </thead> <tbody> <tr> <td>ZSMPM-E</td> <td>-</td> </tr> </tbody> </table>	产品型号	适配电缆	Product No.	Matched cable	ZSMPM-E	-		
产品型号	适配电缆							
Product No.	Matched cable							
ZSMPM-E	-							
030-04								

射频同轴连接器

RF Coaxial Connector

产品型号 Product No. ZSMPM-E	适配电缆 Matched cable -		
030-05			
产品型号 Product No. ZSMPM-E	适配电缆 Matched cable -		
030-06			
产品型号 Product No. ZSMPM-E	适配电缆 Matched cable -		
030-07			
产品型号 Product No. ZSMPF/SMAF	适配电缆 Matched cable - (测试用)		
030/017-08			

射频同轴连接器

RF Coaxial Connector


产品型号	适配电缆
Product No.	Matched cable
ZSMPF/SMAF	- (测试用)

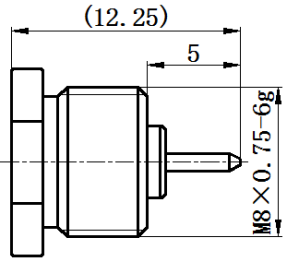




030/017-09

产品型号	适配电缆
Product No.	Matched cable
ZSMPM-Y-D	-





030-10

产品型号	适配电缆
Product No.	Matched cable
ZSMPM-RF-H	RG405





030-11

产品型号	适配电缆
Product No.	Matched cable
ZSMPM-Y-D	-





030-12

射频同轴连接器

RF Coaxial Connector

产品型号	适配电缆		
Product No.	Matched cable		
ZSMPM-E	-		

030-13

产品型号	适配电缆		
Product No.	Matched cable		
ZSMPM-E	-		

030-14

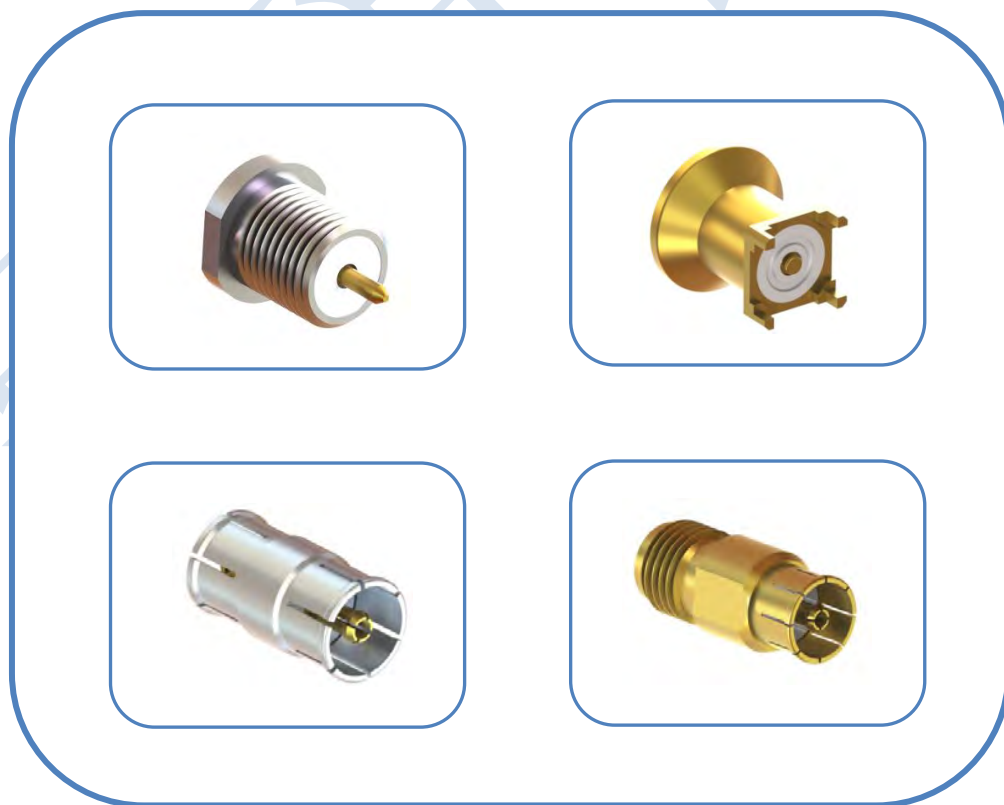
产品型号	适配电缆		
Product No.	Matched cable		
ZSMPM-E	-		

030-15

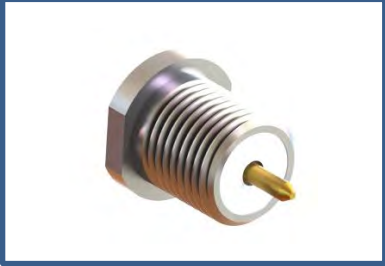
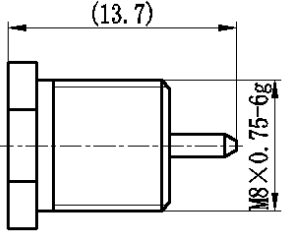
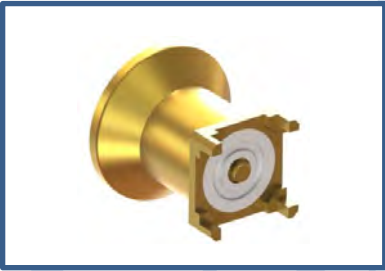
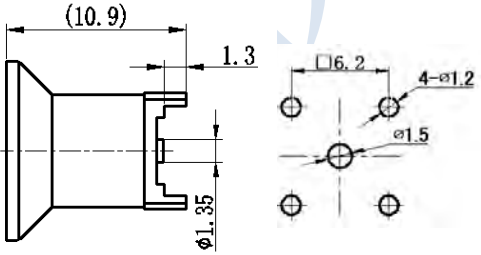

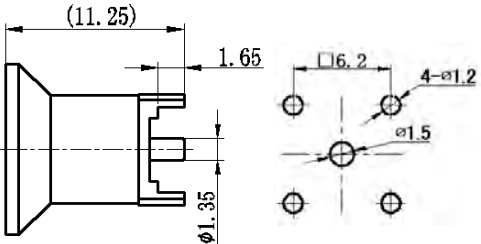

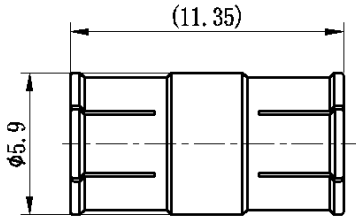
POWER-SMP 系列射频同轴连接器 SERIES POWER-SMP RF. COAXIAL CONNECTORS

POWER-SMP 系列连接器是我司专利产品，主要是为了解决大功率、大容差板间射频集成连接一体化而设计。具有高功率、高可靠、高性能传输的特点，产品系统互配采用擒纵和滑入连接方式，应用于射频板间大容差的盲插连接，安装可靠，方便快捷，提高效率，适用于 5G 微波通信领域。

POWER-SMP series connector are our patented products, mainly designed to solve the integrated of RF integrated connection between high power and large tolerance plates. With the characteristics of high power, high reliability and high performance transmission, the product system is matched with escapement and slip into the connection mode, can be well applied to the large tolerance of the RF board between the blind plug connection, reliable installation, convenient and fast, improve efficiency. It is suitable for 5G microwave communication field.



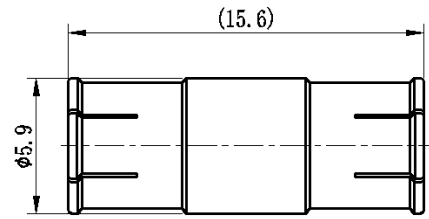
◆ 部分产品型号外形参数 Partial Products Overall Specification

产品型号 Product No. POWER-SMP-D	适配电缆 Matched cable -		
029-01			
产品型号 Product No. POWER-SMP-E	适配电缆 Matched cable -		
029-02			
产品型号 Product No. POWER-SMP-E	适配电缆 Matched cable -		
029-03			
产品型号 Product No. PW-SMPM/PW-SMPM	适配电缆 Matched cable -		
029/029-04			

射频同轴连接器

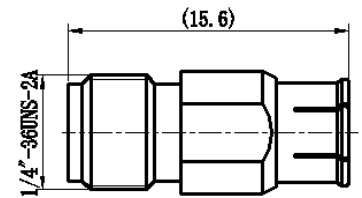
RF Coaxial Connector

产品型号	适配电缆
Product No.	Matched cable
PW-SMPM/PW-SMPM	-



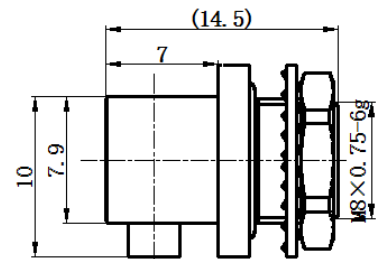
029/029-05

产品型号	适配电缆
Product No.	Matched cable
POWER-SMPM/SMFA	- (测试用)



029/017-06

产品型号	适配电缆
Product No.	Matched cable
POWER-SMP-F-R-H	RG405



029-07